

T-TYPE 1W High Power LED MR11 GZ4.0&EZ10- Spotlight bulb

(1)BLS111-XTN/ BLS10Z1-XTN: W, WW, R, G, B, A  

1.1W LED 12V MR11 GZ4.0/ EZ10 Bulb, Beam Angle 10°

(2)BLS111-XTC/ BLS10Z1: W, WW  



1.3W LED 12V MR11 GZ4.0/EZ10 Bulb, Beam Angle 10°

(3)BLF111-XLTN/ BLF10Z1-XLTN: W, WW, R, G, B, A  

1.1W LED 12V MR11 GZ4.0/ EZ10 Bulb, Beam Angle 40°

(4)BLF111-XLTC/ BLF10Z1-XLTC : W, WW  

1.3W LED 12V MR11 GZ4.0/EZ10 Bulb, Beam Angle 40°

B.L.T.C T-TYPE 1W LED Bulb is the next generation in lighting technology for MR11 GZ4.0 & EZ10. T-TYPE utilizes the highest light output LEDs which was produced by  /  and is pin to pin compatible with exiting MR11's. T-TYPE MR11 offers all the benefits of LED technology, long life and low power consumption in an GZ4.0 & EZ10 footprint. For Lighting designer looking for a flexible light source that requires very little maintenance or low power and does not generate much heat, look no further than the T-TYPE 1W LED Bulb. This bulb is operated with 12V AC or DC power and has reverse polarity protection so you can insert the electrical pins in any direction.

Features

- High brightness.
- Long operating life (up to 50k hours).
- Multiple color
- MR11 compatible with DC 12V Transformer;
- Energy efficiency (Total Consumption 2~2.5W).
- Fast electrical response.
- Flat and compact.
- Compatible with 20 Watt Halogen MR11

Applications

- General reading lighting source
- Decoration light source
- Interior lamp
- Landscape
- Entertainment Lighting
- Spotlight for jewelry or other similar products

Beautiful Light Technology Corp.,

Add: No. 16-2, Dingshanmen, Neighbor 12, Jinlan Village, Zhongpu Township, Chiayi, Taiwan, R.O.C

Tel:+886-5-2392881 Fax:+886-5-2392007 sales@bltc.com.tw www.bltc.com.tw

Lighting Output Image



MR16 MR11

1. Beam Angle 10°-Reflector



2. Beam Angle 40°-Sphere Glass Lens



Bulb Specification

Parameters	BLS111-XTN/ BLS10Z1-XTN BLS111-XTC/ BLS10Z1-XTC	BLF111-XLTN/ BLF10Z1-XLTN BLF111-XLTC/ BLF10Z1-XLTC
Net Weight	22g / 28g	22g / 28g
Dimension	Ø34.5mm(W)*27.2mm(L) Ø34.5mm(W)*41.5mm(L)	Ø34.5mm(W)*27.2mm(L) Ø34.5mm(W)*41.5mm(L)
Bulb Type	MR11	MR11
Bulb Head	GZ4.0 / EZ10	GZ4.0 / EZ10
LED Type	Nichia083 / Cree XRE	Nichia083 / Cree XRE
LED Power	1.1W/ 1.3W	1.1W/ 1.3W
Total Power	2. W/ 2.5W	2.0W/ 2.5W
Constant Current	300/350mA	300/350mA
Input Voltage Range	AC/DC 8~16V	AC/DC 8~16V
Beam Angle	Reflector 10°	Sphere Lens 40°
Working Temp.	-40°~+60° C	-40°~+60° C
Average Life Hours	20,000 Hrs; Max 50,000Hrs	20,000 Hrs; Max 50,000Hrs

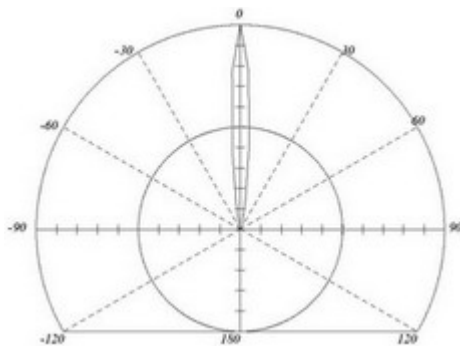
Color Description

Wavelength/Color Temp.	1.1 Watt Nichia 083 LED 300mA	1.3 Watt Cree XRE LED 350mA
White 5000K~6900K,	70lm	90lm
Warm White 2800K,~3600K,	60lm	70lm
Red 615~630nm	60lm	N/A
Green 520~530nm	70lm	N/A
Blue 460~470nm	23lm	N/A
Amber 580~585nm	55lm	N/A

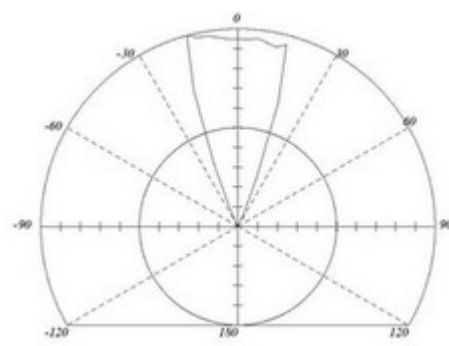
Lighting Intensity & Distribution

Model Name	0.5M / Max. Value / Lux.	1.0M / Max. Value / Lux.	1.5M / Max Value / Lux
BLS111-WTN BLS10Z1-WTN	1800	600	300
BLS111-WTC BLS10Z1-WTC	2100	800	400
BLF111-WLTN BLF10Z1-WLTN	200	90	40
BLF111-WLTC BLF10Z1-WLTC	280	110	50

BLS111-XTX /BLS10Z1XTX (10°)



BLF111-XLTX/ BLF10Z1-XLTX(40°)



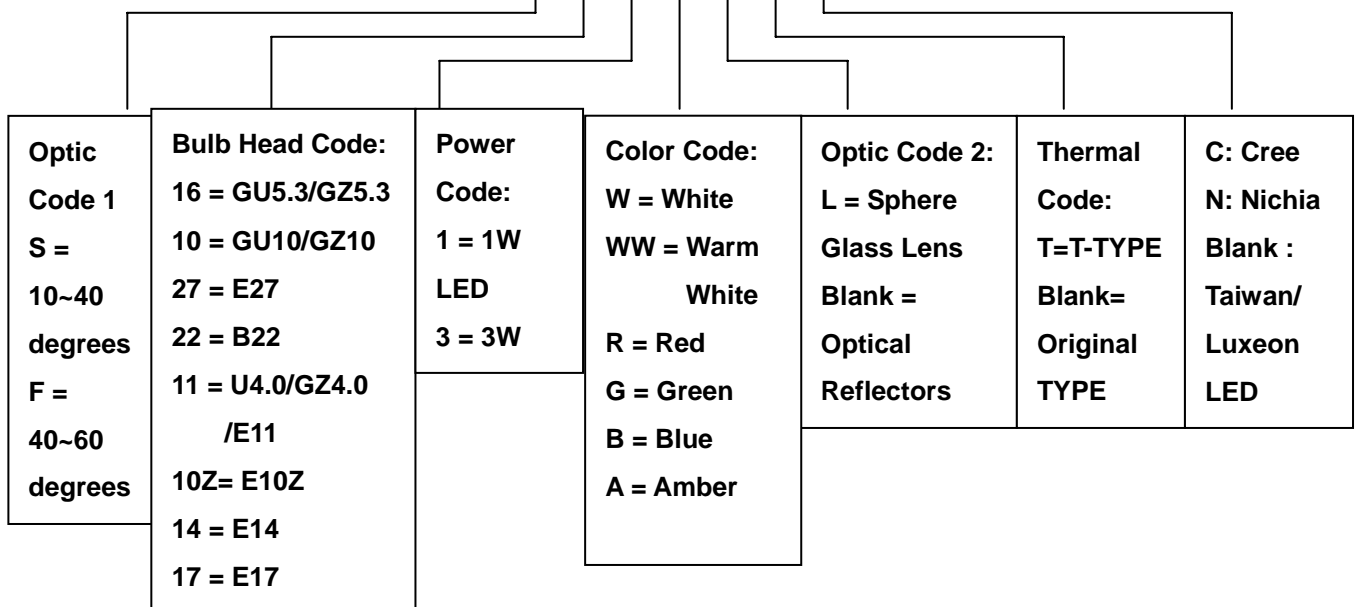
Electrical / Environmental Characteristics

Part No.	IF Input Voltage	Working Voltage	Typical LED Power Consumption(Watt)	Typical Total Power Consumption(Watt)	Operating Temperature
BLS111-XN BLF111-XLN	12VDC	8~16VDC	1.2	1.8	- 40° ~ 60° C
BLS10Z1-XN BLF10Z1-XLN	12VAC	8~16VAC	1.0	2.2	- 40° ~ 60° C
BLS111-XC BLF111-XLC	12VDC	8~16VDC	1.4	2.0	- 40° ~ 60° C
BLS10Z1-XC BLF10Z1-XLC	12VAC	8~16VAC	1.2	2.4	- 40° ~ 60° C

Ordering Number for MR11 Bulb



BL X 11 1-X L T C



Product Warranty

B.L.T.C warrants products for 1 year from the date of purchase to be free from defects in materials and workmanship which may lead to failure of the bulb to transmit light.

During the warranty period, if the product fails to perform as described above, B.L.T.C entire liability will be the repair or replacement of such defective product. In no event shall B.L.T.C be responsible for removal or reinstallation of any product or for the expenses thereof. The above warranty does not apply to, and B.L.T.C makes no warranties with respect to products which have been subjected to misuse neglect, accident, abuse, or operating or environment conditions that deviate from the parameters established in applicable specifications; or have been improperly installed, stored, maintained, repaired or altered by anyone other than B.L.T.C; or have had their serial numbers or month and year of manufacture or shipment removed, defected or altered. This warranty is given only to the original purchase and may not be assigned or transferred to any other party. It is purchaser's obligation to retain documentation that indicated date of purchase.

Compatibility with Transformer

Two Types of low-voltage transformers are used with traditional T-TYPE 1W LED Bulb MR11 lamps; magnetic and electronic. Consider the following when selecting the appropriate transformer for use with the LED bulb.

- ***Magnetic:*** The LED bulb is compatible with all types of magnetic transformers used with 12 volt lighting. Additionally, magnetic transformers are more reliable than electronic transformer; however, magnetic transformers are heavier, less efficient, and sometimes make buzzing.
- ***Electronic:*** The LED bulb is not compatible with all of electronic transformers due to the output voltage of this kind of transformer is not always constant voltage. We are also proud to claim T-TYPE 1W LED Bulb was designed to be compatible with most of the electronic transformer due to the circuit design of T-TYPE 1W LED Bulb is wildly 8~16V. However, the incompatibility is still existed between T-TYPE 1W LED Bulb with few parts of electronic transformers - Symptoms of incompatibility include: no light output, flickering, strobing, or random shutdown.

Safety & Environment Specifications for MR-11 GZ4.0/ EZ10 LED Bulb

B.L.T.C LED MR11 bulbs are manufactured to conform to the following safety criteria for CE approbations & RoHS:

EMC: ASCE06210 ASCE06187

RoHS: BTRS0605180105 Test Standard: 2002/95/EC; EPA3050B:1996, EN1122:2001, EPA3052:1996, EPA3060A, EPA7196, EPA3540C, EPA8270C

Although B.L.T.C LED MR11 bulbs are suitable for both indoor and outdoor application, extreme care should be taken in wet conditions when working with mains powered devices. Power supplies used with these products should be UL/CE/FCC listed or similarly approved device. These products are not intended to be waterproof and cannot be used in submersed applications without the proper waterproof housings.

Beautiful Light Technology Corp.,

Add: No. 16-2, Dingshanmen, Neighbor 12, Jinlan Village, Jhongpu Township, Chiayi, Taiwan, R.O.C

Tel:+886-5-2392881 Fax:+886-5-2392007 sales@bltc.com.tw www.bltc.com.tw