

**ProLight PG1N-NX45  
Collimator  
Technical Datasheet**

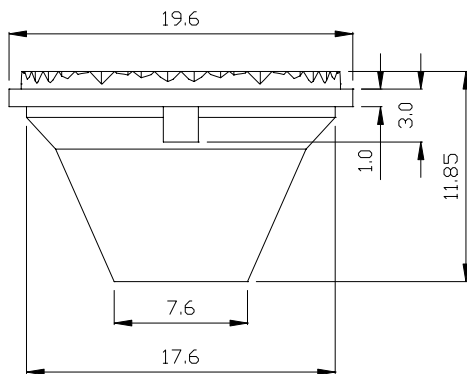
### **Features**

- Up to 90% efficiency
- 45° viewing angle
- Works with all ProLight products

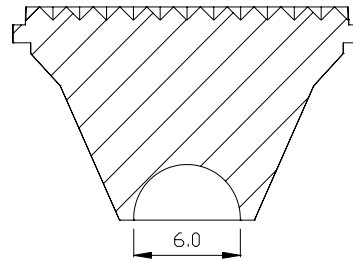
### **Typical Applications**

- Reading lights (car, bus, aircraft)
- Portable (flashlight, bicycle)
- Mini-accent / Decorative / Fiber Optics Alternative
- Undershelf / Task Lighting
- Indoor and Outdoor Commercial and Residential Architectural lighting

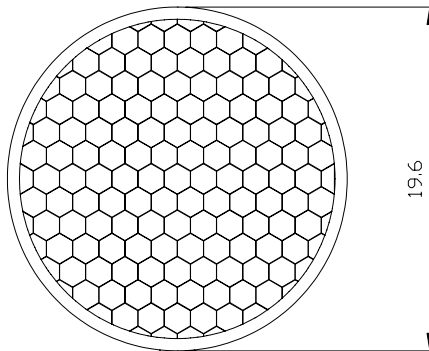
## Mechanical Dimensions



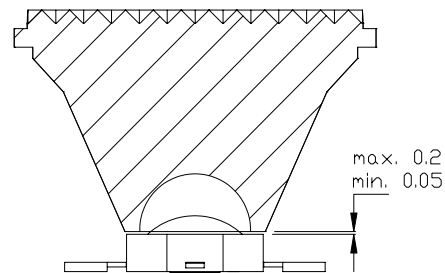
SECTION VIEW



TOP VIEW



Clearance between Collimator and LED



### Notes:

1. All dimensions in millimeters.
2. The collimator rim ( $\varnothing 19.6\text{mm}$ ) may be used as a snap-on feature to support the collimator.
3. The ProLight light source must be protected from any axial or lateral loads caused by the collimator—do not clamp the collimator against the ProLight emitter.
4. Do not subject to temperatures greater than  $75^{\circ}\text{C}$  as plastic deformation may occur. Protect collimator against exposure to solvents and adhesives that are not compatible with it. Use care in handling the optic to avoid scratches or other damage that will effect the optical performance.

# Representative Spatial Radiation Pattern

## Lambertian Radiation Pattern

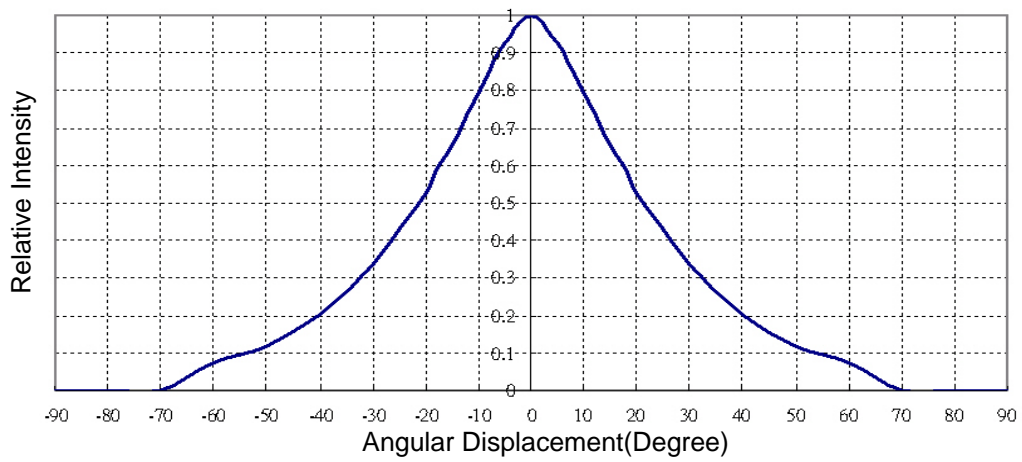


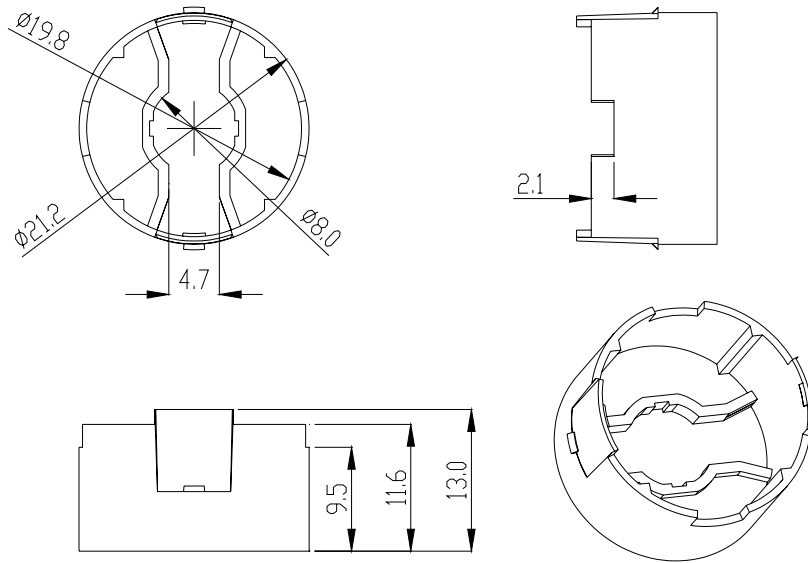
Figure 1. Representative Spatial Radiation for ProLight white color emitter devices with collimator.

## Holder Options

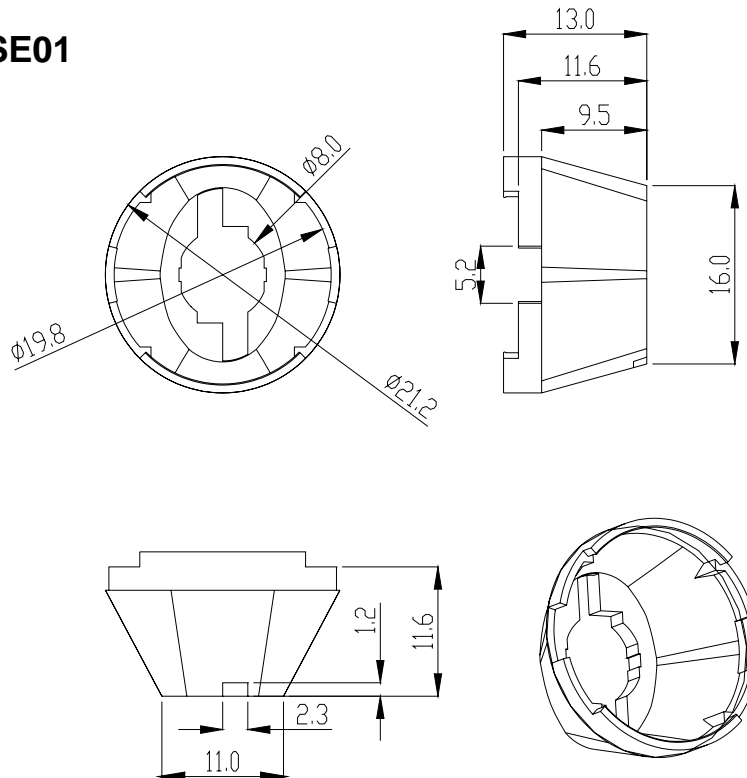
Part Number.	Holder Outline	Recommend Using
PG1N-SO01		
PG1N-SE01		

# Holder Mechanical Dimensions

## 1. PG1N-SO01



## 2. PG1N-SE01



### Notes:

1. All dimensions in millimeters.
2. All dimensions without tolerances are for reference only.
3. Drawing not to scale.